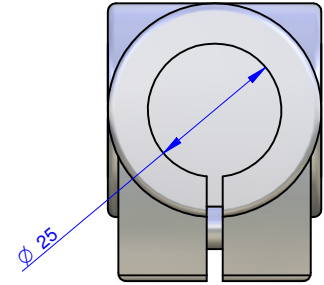
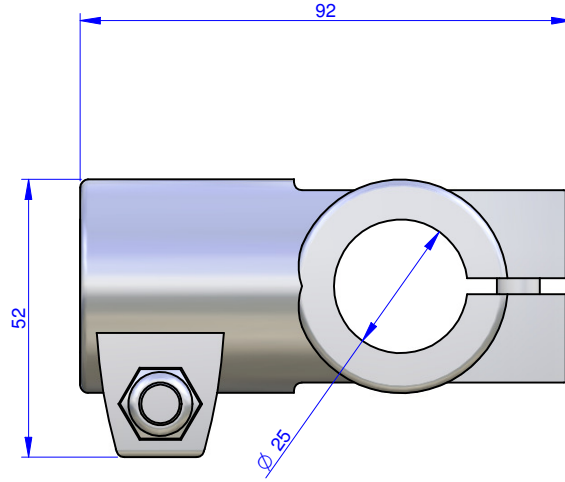
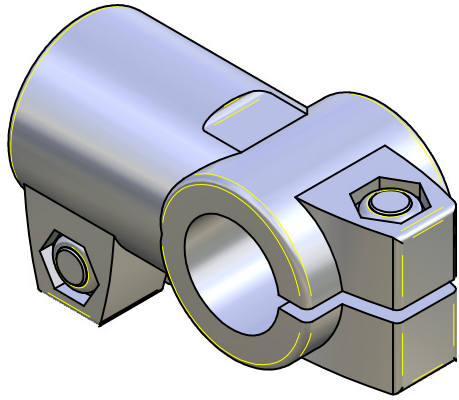


THE PROPERTY OF THIS DRAWING IS ESTABLISHED BY LAW
IT IS FORBIDDEN TO REPRODUCE IT OR SHOW IT TO THIRD PARTY
WITHOUT A WRITTEN AGREEMENT.



MODIFICATIONS:		VARIED DIMENSIONS AS OF DATE:	
7		10	
8		11	
9		12	

MODIFICATIONS:		VARIED DIMENSIONS AS OF DATE:	
1		4	
2		5	
3		6	

Format **A3**
UNI 936-76

FP Services			
GENERAL TOLERANCE: UNI - ISO 2768 CLASSE f		DESIGNED FROM FPSERVICES	WEIGHT 0,217 kg
DESCRIPTION		DATE 08/2014	CODE CA.ATK.25.25

